



## ENGINE

Model	FPT F5C F5HFL463D*G003
Emissions Certification	Tier 4 Final Certified
Cylinders	4
Displacement	207.5 in <sup>3</sup> (3.4 L)
Fuel injection	Common rail
Fuel	#2 Diesel
Fuel filter	Spin-on w/ in-line strainer
Air intake	Cross-flow
Cooling	Liquid
Engine speeds	RPM
High idle - no load	2340 +/- 50
Rated - full load	2200
Low idle	1100 +/- 25
Horsepower @ 2200 RPM – SAE J1349:	
Net	68 hp (50.6 kW)
Gross	73.8 hp (55 kW)
Engine lubrication:	
Pump	Deep sump plate cooler w/ pressurized under-piston nozzles
Pump operating angle ratings:	
Side-to-side	35°
Fore and aft	45°
Oil filtration	Replaceable, spin-on full-flow cartridge
Radiator:	
Core size area	367.5 in <sup>2</sup> (2 370.8 cm <sup>2</sup> )
Rows of tubes	24
Fan:	
Diameter	20 in (500 mm)
Ratio	1.1:1

## DRIVETRAIN

Dual path hydrostatic:	
Pump	Variable axial piston
Motor	Variable bent axis piston
Max. drawbar pull*	39,086 lb (173.9 kN)
Transmission	Single lever control – electronic straight tracking
Transmission oil filter	4 micron, spin-on replaceable
Travel speeds*:	
Forward	5.0 mph (8 kph)
Reverse	5.0 mph (8 kph)
Parking brakes	Heavy-duty, spring-applied, hydraulic pressure release
Steering brakes	Hydrostatic
Final drive	2 helical gear reduction to planetary output
Ratio	62.4:1
Transmission cooling:	
Type	Oil to air
Core size	216.9 in <sup>2</sup> (1 399.3 cm <sup>2</sup> )

NOTE: \*Measured using standard track chain. Increase travel speeds by 4% and reduce drawbar pull by 4% with the optional Max-Life track chain.

## ELECTRICAL

Alternator	120 amp
Battery	(2) 12-volt low-maintenance 925 cold-cranking amps @ 0° F (-18 C)
Electrical system	12 Volts

## OPERATOR ENVIRONMENT

ROPS Canopy: Isolation mounted, Single lever control for speed, steering and direction; Vinyl mechanical suspension seat that tilts for access, Retractable 3 in (76 mm) seat belt; Adjustable armrests; Foot rests; Rearview mirror.

Optional ROPS cab: Cloth air suspension seat w/ back adjustment; Two door windshield wipers; Rear wiper, Dome light; 12-volt accessory outlet; Headliner; Floor mat; Blue tooth Radio; Heat/AC, additional rear mirror.

### Warning lights:

Air filter; Alternator; Engine oil pressure; Diagnostic fault indicator; Engine coolant; temperature; Engine oil pressure; Low fuel level; Park brake engaged; Service soon indicator; Transmission temperature; Hi range; Hydraulic filter; Transmission filter; Transmission pressure.

### Gauges:

Battery voltage; Fuel level; Digital hourmeter/ tachometer/diagnostics/service reminder; Transmission oil temperature; Water temperature.

### Audible warnings:

Engine oil pressure; Transmission pressure; Engine coolant temperature; Low fuel level; Transmission charge pressure; Transmission/ hydraulic temperature.

## OPERATING WEIGHT

Unit equipped w/ cab, full fuel tank, full hydraulic tank, 170 lb (77 kg) operator, 15.6 in SALT HD Chain, 96 in Blade Width, Drawbar, and All Other Standard Equipment

Long track	15,931 lb (7 226 kg)
Wide track	15,997 lb (7 256 kg)
Low ground pressure	15,997 lb (7 256 kg)

### Add-on weights:

Drawbar	Incl. 128 lb (58 kg)
Ripper – 3 shank	1,400 lb (635 kg)
Winch	1,851 lb (844 kg)
Front counterweight	838 lb (380 kg)
Open ROPS	-633 lb (-287 kg)
Radiator Brush Screen	21 lb (9.5 kg)
Rear Screen	55 lb (25 kg)

### Blades:

96 in Blade	Incl. 1,025 lb (465 kg)
108 in Blade	104 lb (47 kg)
124 in Blade	262 lb (119 kg)

### Tracks:

SALT Chain 15.6 in	Incl. 1,164 lb (528 kg)
SALT Chain 20 in	356 lb (161 kg)
SALT Chain 24 in	677 lb (307 kg)
Max-Life Closed Chain 15.6 in	115 lb (52 kg)
Max-Life Closed Chain 20 in	470 lb (213 kg)
Max-Life Closed Chain 24 in	791 lb (359 kg)

NOTE: Subtract 13 kg for Max-Life Open

## HYDRAULICS

Pump flow @ 2000 RPM @ 3,000 psi (20 880 kPa)	20.3 gpm (78.8 L/min)
Lift cylinder	Two (2)
Bore diameter	3.50 in (88.9 mm)
Rod diameter	1.75 in (44.4 mm)
Stroke	15.53 in (394.5 mm)
Angle cylinder	Two (2)
Bore diameter	3.50 in (88.9 mm)
Rod diameter	1.75 in (44.5 mm)
Stroke	13.46 in (342.0 mm)
Tilt cylinder	One (1)
Bore diameter	3.50 in (88.9 mm)
Rod diameter	1.75 in (44.4 mm)
Stroke	5.39 in (137 mm)

## SERVICE CAPACITIES

Fuel tank	40.8 gal (154.4 L)
Engine oil w/ filter	13 qt (12.3 L)
Engine oil w/o filter	12.2 qt (11.5 L)
Engine cooling system	23.9 qt (22.6 L)
Hydraulic reservoir	16.5 gal (72.7 L)
Final drive – per side	16 qt (15.1 L)
Track rollers – each	0.16 qt (0.15 L)
Front idlers – each	0.34 qt (0.326 L)
Carrier rollers – each	0.13 qt (0.136 L)

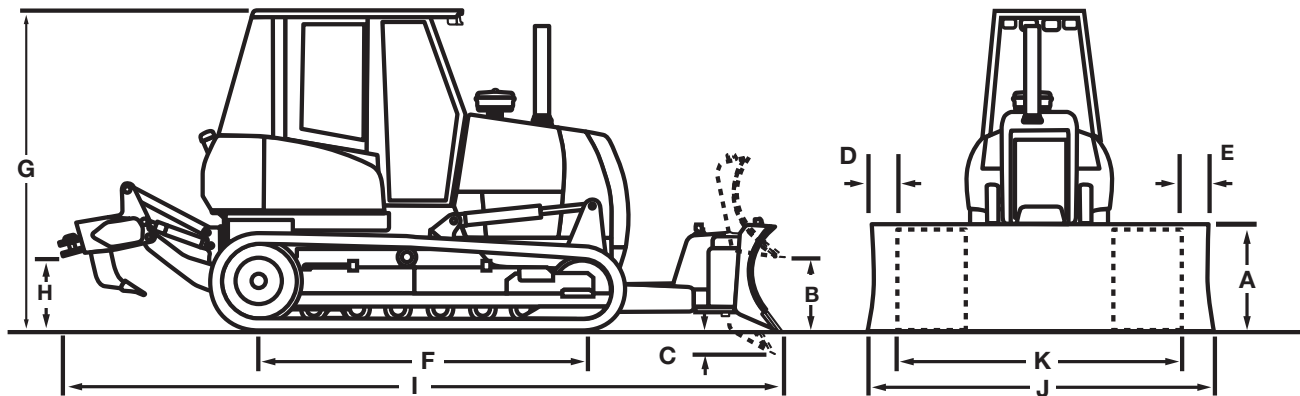
## OTHER SPECIFICATIONS

Undercarriage:	
Track adjustment	Hydraulic
Frame	Rigid suspension
Length of track on ground:	
	85 in (2 159 mm)
Track link pitch	6.125 in (155.575 mm)
Track shoe height	2.06 in (52 mm)
Pin diameter	1.125 in (28.575 mm)
Bushing diameter:	
SALT track	2.13 in (54 mm)
Max-Life track	2.68 in (68 mm)
Bolt diameter	0.625 in (16 mm)
Track shoes per side	40
Track rollers per side	6
Carrier rollers per side	1
Track roller rail diameter	5.98 in (152 mm)

Track on ground:	
Shoe area:	
15.6 in (395 mm)	2,644 in <sup>2</sup> (17 056 cm <sup>2</sup> )
20 in (508 mm)	3,372 in <sup>2</sup> (21 755 cm <sup>2</sup> )
24 in (610 mm)	4,083 in <sup>2</sup> (26 340 cm <sup>2</sup> )
Track:	
Long Track:	
15.6 in (395 mm) closed grousers and SALT	
15.6 in (395 mm) open grousers and Max-Life	
Wide Track:	
15.6 in (395 mm) closed grousers and SALT	
15.6 in (395 mm) open grousers and Max-Life	
20 in (508 mm) closed grousers and SALT	
20 in (508 mm) open grousers and Max-Life	
Low ground pressure:	
24 in (610 mm) closed grousers and SALT	
24 in (610 mm) open grousers and Max-Life	

Blade:	
Variable blade pitch	52° – 60°
Lift speed – per second	19.7 in (500 mm)
Cutting edge	Reversible, replaceable
Width	8.0 in (203 mm)
Thickness	0.625 in (16 mm)

Ripper:	
Max. penetration:	
	15.3 in (389 mm) w/ grousers penetrated – see below
Width	73.1 in (1 856 mm)
Cut width	70.1 in (1 781 mm)
Max. ground clearance	15.5 in (393 mm)
Points	Replaceable
Max. number of shanks	3
Tooth spacing:	
w/ 3 teeth	31 in (785 mm)
Hydraulic cylinder	
Diameter	3.9 in (99.02 mm)
Stroke	8.4 in (213 mm)
Rod	1.75 in (44.5 mm)



Line drawings are for illustrative purpose only and may not be exact representation of unit.

## DIMENSIONS

	Long Track (LT)	Wide Track (WT)	Low Ground Pressure (LGP)
Blade width	96 in (2 438 mm)	108 in (2 731 mm)	124 in (3 160 mm)
SAE blade capacity	1.69 yd <sup>3</sup> (1.29 m <sup>3</sup> )	1.89 yd <sup>3</sup> (1.44 m <sup>3</sup> )	2.22 yd <sup>3</sup> (1.70 m <sup>3</sup> )
<b>A.</b> Blade height	33.1 in (841 mm)	33.1 in (841 mm)	33.1 in (841 mm)
<b>B.</b> Blade lift above ground	35.1 in (892 mm)	35.1 in (892 mm)	35.1 in (892 mm)
<b>C.</b> Blade depth below ground	21.0 in (533 mm)	21.0 in (533 mm)	21.0 in (533 mm)
Blade angle both directions	22.7°	22.7°	22.7°
<b>D.</b> Cast reach	14.1 in (358.7 mm)	11.4 in (290.5 mm)	16.3 in (413.3 mm)
<b>E.</b> Cut reach	2.4 in (60.8 mm)	-0.3 in (-7.4 mm)	4.5 in (115.2 mm)
Blade tilt, each end (+/- 9°)	7.64 in (194 mm)	8.54 in (217 mm)	9.86 in (250 mm)
Track gauge	56.47 in (1.43 m)	68 in (1.73 m)	68 in (1.73 m)
Maximum shoe width	15.6 in (395 mm)	20 in (508 mm)	24 in (610 mm)
<b>F.</b> Length of track on ground:			
SALT HD	85 in (2.16 m)	85 in (2.16 m)	85 in (2.16 m)
Max-Life	85 in (2.16 m)	85 in (2.16 m)	85 in (2.16 m)
Area of track on ground	2,644 in <sup>2</sup> (1.71 m <sup>2</sup> )	3,400 in <sup>2</sup> (2.19 m <sup>2</sup> )	4,083 in <sup>2</sup> (2.63 m <sup>2</sup> )
Ground pressure	5.98 psi (0.412 bar)	4.82 psi (0.332 bar)	4.12 psi (0.284 bar)
<b>G.</b> Height to top of ROPS canopy with air conditioning	8 ft 8 in (2 648 mm)	8 ft 8 in (2 648 mm)	8 ft 8 in (2 648 mm)
	8 ft 9 in (2 653 mm)	8 ft 9 in (2 653 mm)	8 ft 9 in (2 653 mm)
<b>H.</b> Ground clearance	13.07 in (332 mm)	13.07 in (332 mm)	13.07 in (332 mm)
Length:			
Blade straight with drawbar	13 ft 8 in (4 180 mm)	13 ft 8 in (4 180 mm)	13 ft 8 in (4 180 mm)
<b>I.</b> Blade straight with ripper	16 ft 3 in (4 951 mm)	16 ft 3 in (4 951 mm)	16 ft 3 in (4 951 mm)
Width:			
<b>J.</b> Blade straight	8 ft 0 in (2 438 mm)	9 ft 0 in (2 731 mm)	10 ft 4 in (3 160 mm)
Blade angled (Transport Width)	7 ft 7 in (2 299 mm)	8 ft 5 in (2 568 mm)	9 ft 9 in (2 965 mm)
<b>K.</b> Over track	6 ft 0 in (1 829 mm)	7 ft 4 in (2 228 mm)	7 ft 8 in (2 337 mm)

## STANDARD EQUIPMENT

### OPERATOR ENVIRONMENT

See page 1

### ENGINE

FPT F5C F5HFL463D\*G003  
Tier 4 Final Certified  
CEGR + DOC  
Cold start aid - glow plugs  
Automatic fan belt tensioner  
Integral engine oil cooling  
Fuel filter  
Dual element radial seal air cleaner  
120 amp alternator  
925 CCA (2) 12-volt battery  
Engine side panel  
Anti-freeze to -34°F  
Pusher fan  
Radiator – Anti-sandblast

### DRIVETRAIN

Dual path infinitely variable, single-lever controlled hydrostatic drive with electronic straight tracking & counter-rotation  
Final drive:  
Triple reduction; helical gear/planetary  
Automatic spring-applied parking brake  
15 incremental speed settings and adjustable forward/reverse speed differential setting  
Operator preference settings for max. speed, shuttle sensitivity and steering sensitivity  
Decelerator with selectable engine decel mode or transmission braking mode

## OPTIONAL EQUIPMENT

### REAR MOUNTED EQUIPMENT

Ripper - 5 position with 3 shank  
Hydraulic pump with PTO

### BLADES

96 in (2.29 m) LT  
108 in (2.73 m) LT/WT  
124 in (3.16 m) WT/LGP

### BLADE

52° – 60° variable pitch  
Single lever control for blade lift, angle and tilt

### UNDERCARRIAGE

Hydraulic track adjusters  
Easy clean track covers  
Sealed and Lubricated Track Chain (SALT)  
Permanently lubricated track and carrier rollers  
Track adjuster guard  
Track guides – front and rear  
Shock resistance idler mounting  
HD track covers  
Undercarriage Spade Shovel holder  
Heavy duty track frame, sprocket and mounting pads  
High visibility track idler

### OTHER

Backup alarm  
Horn  
Premium LED work light package  
4 total in front  
2 total in rear  
Master disconnect switch  
Front pull hook  
Drawbar  
Sweeps  
Turbine Pre-Cleaner  
Environmental drain

Hydraulics - 4 spool valve with plugs for field installed ripper  
Transport Protection  
Anti-vandalism package  
Rear transmission guard  
Additional Rear mirror (Cabs only)  
Hinged grill  
Operator's manual enclosure  
Diagnostic check ports  
Two additional power sources available for heater, air seat, or auxiliary 12-volt port

### TELEMATICS

CASE SiteWatch™ 4G Telematics – includes hardware and a 5-yr Advanced data subscription

### PROCARE

CASE ProCare – 3-yr/3000-hr factory warranty, 3-yr/2000-hr planned maintenance and SiteWatch™ 4G Telematics

### SCREENS

Radiator brush screen  
Side ROPS  
ROPS/Cab Rear

### OTHER

Case Max-Life track  
Front counterweight  
Severe cold weather package  
Cold Start (CCV heated lines)  
Rear-view Camera (Cab only)

CaseCE.com

©2023 CNH Industrial America LLC. All rights reserved. CASE is a trademark registered in the United States and many other countries, owned by or licensed to CNH Industrial N.V., its subsidiaries or affiliates. CNH Industrial Capital is a trademark in the United States and many other countries, owned by or licensed to CNH Industrial N.V., its subsidiaries or affiliates. Printed in U.S.A. Contains 10% post-consumer fiber.

IMPORTANT: CASE Construction Equipment Inc. reserves the right to change these specifications without notice and without incurring any obligation relating to such change. Availability of some models and equipment builds vary according to the country in which the equipment is used. The illustrations and text may include optional equipment and accessories and may not include all standard equipment. Your CASE dealer/distributor will be able to give you details of the products and their specifications available in your area.



CASE Construction Equipment is biodiesel-friendly. NOTE: All engines meet current EPA emissions regulations. All specifications are stated in accordance with SAE Standards or Recommended Practices, where applicable.



Always read the Operator's Manual before operating any equipment. Inspect equipment before using it, and be sure it is operating properly. Follow the product safety signs and use any safety features provided.

Form No. CCE202311650M  
Replaces Form No. CCE202206650M

650M

3 of 3